

# Mounting Instruction

**Bemærk:**

- Montering af armatur og evt. servicering af LED komponenter, må kun udføres af en kvalificeret person.
- Under hele armatur installationsprocessen skal armaturet altid være i spændingsløs tilstand.
- Sikre dig altid at armaturet er i spændingsløs tilstand, før der åbnes for armaturet ved udføres af service.
- Ikke-brugerudskiftelig lyskilde: Lyskilden i dette armatur må kun udskiftes af producenten, dennes serviceværksted eller af en tilsvarende kvalificeret person.
- " ESD følsom elektronik " undgå alt unødvendig berøring af LED paneler og LED drivere.
- Optiske linser samt andre former for optik, gitre og covers, skal altid være monteret når armaturet er i drift.
- Armaturer med DALI driver, skal være tilsluttet en god og aktiv jordforbindelse.



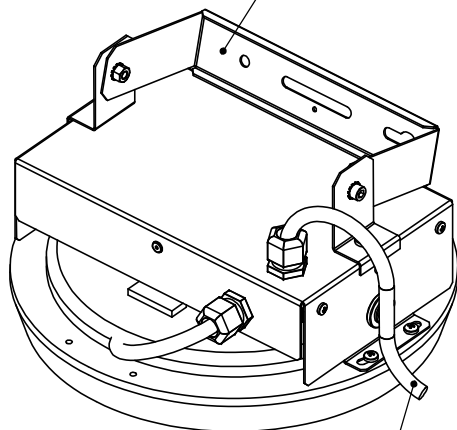
# LUFO IV

**Attention:**

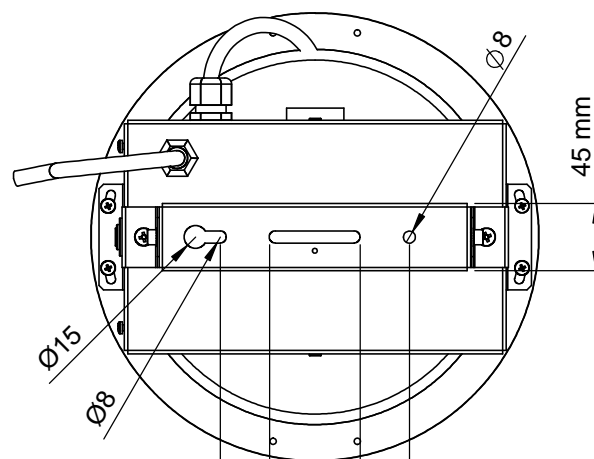
- Installation of luminaire and servicing of LED components, may only be performed by a qualified person.
- During the complete luminaire installation process, the luminaire must always be without power.
- Always power off luminaire before opening or accessing any part of the luminaire during service routines.
- Non-user replaceable light source: The light source contained in this luminaire shall only be replaced by the manufacturer, or his service agent or a similar qualified person.
- " ESD sensitive components " avoid unnecessary touching LED boards and LED drivers.
- Optical lenses, other forms of optics and grids, must always be mounted when luminaire is in operation.
- Luminaire with DALI driver must have an good active ground/earth connection.



DK - Standard montagebeslag  
GB - Standard mountingbracket



DK - 1.5 meter (1.5mm<sup>2</sup> kabel)  
GB - 1.5 meter (1.5mm<sup>2</sup> cable)



138W / Ø300 = 125mm  
200W / Ø340 = 145mm

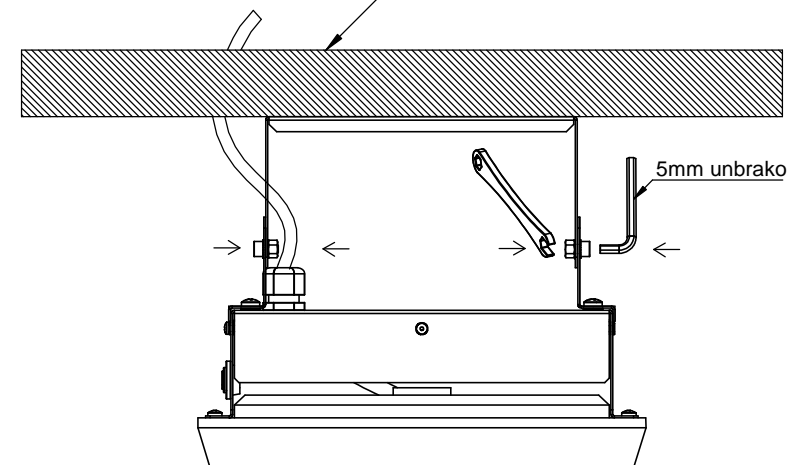


DK - Ophængskæde sæt (tilbehør).  
GB - Chainsuspension kit (accessorie).

DK - Beregnet for Kædeophæng sæt (86 49 069 229)  
Benyt 60x8mm spor til at afbalancere armaturet i forhold til kædeplacering.

GB - Intended for use with chainsuspension (86 49 069 229)  
Use 60x8mm groove to balance the luminaire relative to chain placement.

Loft / Ceiling



DK - Efter armaturet er monteret på loft eller væg, spændes de 2 stk. 6mm bolte og møtrikker, så armaturet er forsvarligt låst i den ønskede position. (Værktøj ej inkluderet).

GB - When the luminaire has been installed on ceiling or wall, tighten the 2 pcs. 6mm bolts and nuts, so the luminaire is securely locked in the desired position. (Tools are not included).

DK - Hvis armaturet er leveret med en sensor, se monteringsinstruktion kaldet: LUFO IV SENSOR.

GB - If the luminaire is delivered with a sensor, see mounting instruction named: LUFO IV SENSOR.